

合格证
QC PASS



Godox Audio Wechat
Official Account
神牛影音微信公众号



Overseas Official
Accounts & Updates
海外社媒平台及资讯

深圳市神牛摄影器材有限公司

地址: 深圳市宝安区福海街道塘尾社区福川工业区厂房2栋 电话: 0755-29609320
(8062) 传真: 0755-25723423 邮箱: godox@godox.com

GODOX Photo Equipment Co., Ltd.

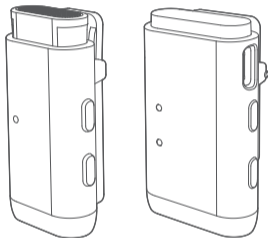
Add.: Building 2, Yaochuan Industrial Zone, Tangwei Community, Fuhai Street, Bao'an
District, Shenzhen 518103, China Tel: +86-755-29609320(8062)
Fax: +86-755-25723423 E-mail: godox@godox.com

www.godox.com

Made in China | 705-WECKT0-02



Godox



WEC Kit1 / WEC Kit2

无线领夹麦克风系统

Wireless Lavalier Microphone System

使用手册

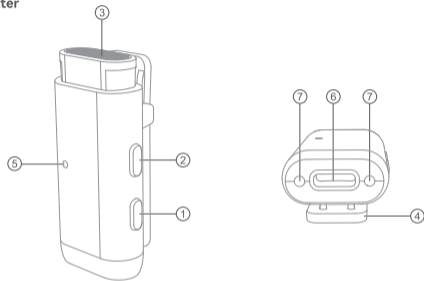
Instruction Manual

Warning

- ⚠ This product is high-precision instrument, please avoid falling, collision or pounding.
- ⚠ Do not disassemble. Should repairs become necessary, this product must be sent to our Company or an authorized maintenance center.
- ⚠ Always keep this product dry. Do not use in rain or damp conditions.
- ⚠ Do not leave or store this product in the environment of direct sunlight, near heating devices, or in hot, humid or dusty.
- ⚠ Keep out of reach of children.
- ⚠ Do not use in flammable and explosive environments. Pay attention to the relevant warning signs.
- ⚠ Do not leave or store the product if the ambient temperature reads over 50°C.
- ⚠ Please read carefully and follow the warnings or instructions provided by the manufacturer.

Structure of Product

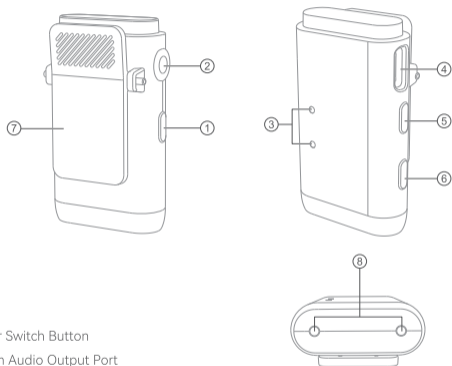
Transmitter



1. Power Switch Button
2. Pairing/Denoise Button
3. Built-in Microphone
4. Back Clip

5. Indicator
6. USB-C Charging Port
7. Charging Points

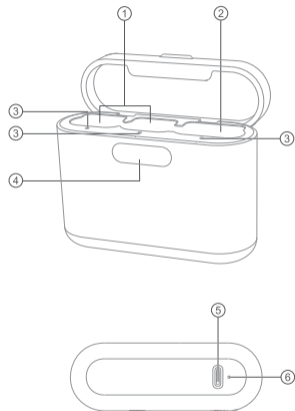
Receiver



1. Power Switch Button
2. 3.5mm Audio Output Port
3. Indicator
4. USB-C Charging Port
5. Pairing/Volume + Button
6. Mode/Volume - Button
7. Back Clip
8. Charging Points

21

Charging Case



1. Transmitter's Slot
2. Receiver's Slot
3. Indicator
4. Display
5. USB-C Charging Port
6. Reset Hole

22

What's Inside



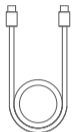
Transmitter



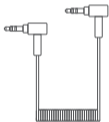
Receiver



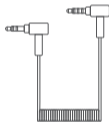
Charging Case



USB-A to USB-C Data Cable



3.5mm TRS-TRS Audio Cable



3.5mm TRS-TRRS Audio Cable



Furry Windscreen



Storage Box



Instruction Manual


Product Name	Model	Package List
Wireless Lavalier Microphone System	WEC Kit1	Transmitter x1, Receiver x1, USB-A to USB-C Data Cable x1, Furry Windscreen x1, 3.5mm TRS-TRS Audio Cablex1, 3.5mm TRS-TRRS Audio Cable x1, Storage Box x1, Instruction Manual x1
Wireless Lavalier Microphone System	WEC Kit2	Transmitter x2, Receiver x1, Charging Case x1, USB-A to USB-C Data Cable x1, Furry Windscreen x2, 3.5mm TRS-TRS Audio Cablex1, 3.5mm TRS-TRRS Audio Cable x1, Storage Box x1, Instruction Manual x1

Note: Due to continuous updates and upgrades of the products, there may be differences between the actual products and the pictures. Therefore, the pictures are for reference only, products to prevail in kind.

Instructions for Use

1. Power Switch

1.1 Operating Instructions

Long press the power switch button <  > for 3s to turn on or off the transmitter and receiver. Take out the devices from the charging case, they will boot up automatically, while put them into the charging case, they will be turned off.



Note: The transmitter and receiver will be turned off if they stay unpaired in 5min after powered on.

1.2 Indicator Instructions

Indicator Status	Meaning
Indicator of transmitter flashes green every 0.5s	Unpaired after powered on
Both indicators of receiver flash green every 0.5s	Unpaired after powered on

2. Pairing

2.1 Operating Instructions

Long press the pairing/denise button <  / DNR > of transmitter and pairing/volume + button <  / + > of receiver for 2s to pairing them. They will exit pairing status once paired, while exit after 10s if unpaired.

2.2 Indicator Instructions

Indicator Status	Meaning
Indicator of transmitter flashes green rapidly every 0.25s	Pairing status
Indicator of transmitter is constant on green	Paired
Both indicators of receiver flash green rapidly every 0.25s	Pairing status
TX1 indicator of receiver is constant on green, TX2 indicator of receiver is off	One transmitter and one receiver are paired
Both indicators of receiver are constant on green	Two transmitters and one receiver are paired

Note: If two transmitters are paired with the receiver but one of which is turned off later, then its corresponding TX1/TX2 indicator will be off in 30s.

3. Denoise

3.1 Operating Instructions

Short press the pairing/denoise button <  / DNR > of transmitter to turn on or off the denoise function.

3.2 Indicator Instructions

Indicator Status	Meaning
Indicator of transmitter is constant on orange	Denoise function is on

4. Mode Switch

4.1 Operating Instructions

The sound track mode is mono by default, long press the mode/volume – button < **M / –** > of receiver for 5s can switch to stereo mode.

4.2 Indicator Instructions

Indicator Status	Meaning
Both indicators of receiver are constant on green	Mono mode
Both indicators of receiver are constant on blue	Stereo mode

5. Output Volume Adjustment

Short press the pairing/volume + button <  / + > or mode/volume – button < **M / –** > of receiver can adjust the output volume in 3 levels with an increment of 6dB each stop. The volume is the middle level by default after first boot.

6. Charging

6.1 Charging through USB-A to USB-C Cable

The transmitter and receiver can be charged after connecting to power source through USB-A to USB-C cable.

Indicator Status	Meaning
Indicators of transmitter and receiver flash white	Charging
Indicators of transmitter and receiver are constant on white	Fully charged
Indicator of transmitter flashes red every 0.5s	Battery level of transmitter is below 10%
TX1 indicator of receiver is constant on red, TX2 indicator of receiver displays normally	Battery levels of receiver and transmitter TX2 are normal, while battery level of transmitter TX1 is below 10%

TX1 indicator of receiver displays normally, TX2 indicator of receiver is constant on red	Battery levels of receiver and transmitter TX1 are normal, while battery level of transmitter TX2 is below 10%
Both indicators of receiver are constant on red	Battery level of receiver is normal, while battery levels of transmitter TX1 and TX2 are below 10%
Both indicators of receiver flash red every 0.5s	Battery level of receiver is below 10%

6.2 Charging through Charging Cable

Put the devices into the charging case and open the lid: The case will first detect whether the devices are correctly inserted into the corresponding slots, the corresponding indicators in the case will light up if the pins inside touched the charging points of the devices. Then it will detect whether the devices are fully charged, if not, it will start charging until the devices are fully charged. The indicators and number display will light up at the same time if the charging case lid is open, and turn off after the devices are fully charged in 5s.

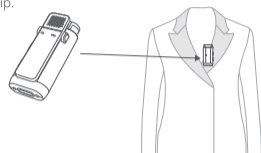
Put the devices into the charging case and close the lid: The devices will shut down and be charged until they are fully charged. The number display will be off in 1min after closing the lid.

Charging the case itself: The number display will increase gradually from 0 to 100, and remain 100 after the charging case is fully charged.

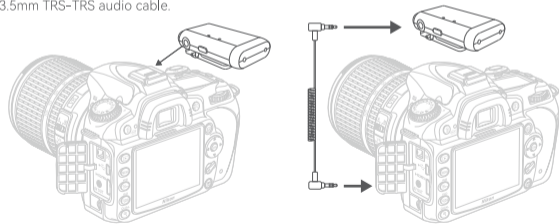
Indicator Status	Meaning
Indicators inside the charging case flash white every 0.25s	Charging the devices
Indicators inside the charging case are constant on white	The devices are fully charged

Instructions for Installation

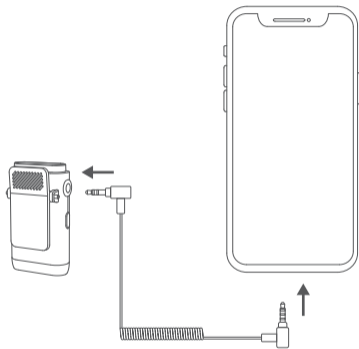
Clip the transmitter to the collar with its back clip.



Clip the receiver to the camera with its back clip, then connect the 3.5mm audio output port of receiver to the 3.5mm audio input port of camera with the 3.5mm TRS-TRS audio cable.



Connect the 3.5mm audio output port of receiver to the 3.5mm earphone jack port of smartphone with the 3.5mm TRS-TRRS audio cable.



Technical Data

Name	Transmitter	Receiver	Charging Case
Model	WEC TX	WEC RX	WEC-C1
Transmission Type	2.4GHz Frequency Hopping System	2.4GHz Frequency Hopping System	/
Pickup Pattern	Omnidirectional	/	/
Frequency Range	20Hz-20KHz	/	/
Max. SPL	110dB	/	/
Dynamic Range	86dB	/	/
Max. Wireless Distance	200m	200m	/
Lithium Battery Parameters	3.7V = 140mAh, 0.518Wh	3.8V = 200mAh, 0.76Wh	3.7V = 1400mAh, 5.18Wh
USB-C Input	5V = 160mA	5V = 200mA	5V = 1.3A
Working Time	Approx. 8h	Approx. 8h	Charge 3 devices for about twice

Charging Time	Approx. 2h	Approx. 2h	Approx. 2h
Working Environment Temperature	-10~50°C	-10~50°C	-10~50°C
Dimension	48mm×22mm×16mm 1.89"×0.87"×0.63"	48mm×28mm×15mm 1.89"×1.10"×0.59"	63mm×85mm×30mm 2.48"×3.35"×1.18"
Net Weight≈	12g	16g	84g

Specifications and data may subject to changes without notice.

Maintenance

Avoid falling. Strong collision or vibration may malfunction the device.

Keep dry. This product is not water-proof. Malfunction, rust, and corrosion may occur and go beyond repair if soaked in water or exposed to high humidity.

Avoid sudden temperature changes. Condensation happens in sudden temperature changes such as the circumstance when taking the product out of a building with higher temperature to outside in winter. Please put the product in a handbag or plastic bag beforehand.

Keep away from strong magnetic field. The strong static or magnetic field produced by devices such as radio transmitters leads to malfunction.

Specifications and data may subject to changes without notice.

FCC Statement

This device complies with part 15 of the FCC Rules. Operation is subject to the following two conditions:

- (1) This device may not cause harmful interference, and
- (2) this device must accept any interference received, including interference that may cause undesired operation.

Any Changes or modifications not expressly approved by the party responsible for compliance could void the user's authority to operate the equipment.

Note: This equipment has been tested and found to comply with the limits for a Class B digital device, pursuant to part 15 of the FCC Rules. These limits are designed to provide reasonable protection against harmful interference in a residential installation. This equipment generates uses and can radiate radio frequency energy and, if not installed and used in accordance with the instructions, may cause harmful interference to radio communications. However, there is no guarantee that interference will not occur in a particular installation. If this equipment does cause harmful interference to radio or television reception, which can be determined by turning the equipment off and on, the user is encouraged to try to correct the interference by one or more of the following measures:

- Reorient or relocate the receiving antenna.
 - Increase the separation between the equipment and receiver.
 - Connect the equipment into an outlet on a circuit different from that to which the receiver is connected.
 - Consult the dealer or an experienced radio/TV technician for help.
- The device has been evaluated to meet general RF exposure requirement.
The device can be used in portable exposure condition without restriction.

Warning

Operating frequency: 2402MHz – 2480MHz (WEC TX/WEC RX)
Maximum EIRP Power: 0.73dBm (WEC TX)/ 0.92dBm (WEC RX)

Declaration of Conformity

GODOX Photo Equipment Co.,Ltd. hereby declares that this equipment are in compliance with the essential requirements and other relevant provisions of Directive 2014/53/EU. In accordance with Article 10(2) and Article 10(10), this product is allowed to be used in all EU member states.

For more information of DoC, Please click this web link:

<https://www.godox.com/eu-declaration-of-conformity>

The device complies with RF specifications when the device used at 0mm from your body.

Marking Information

